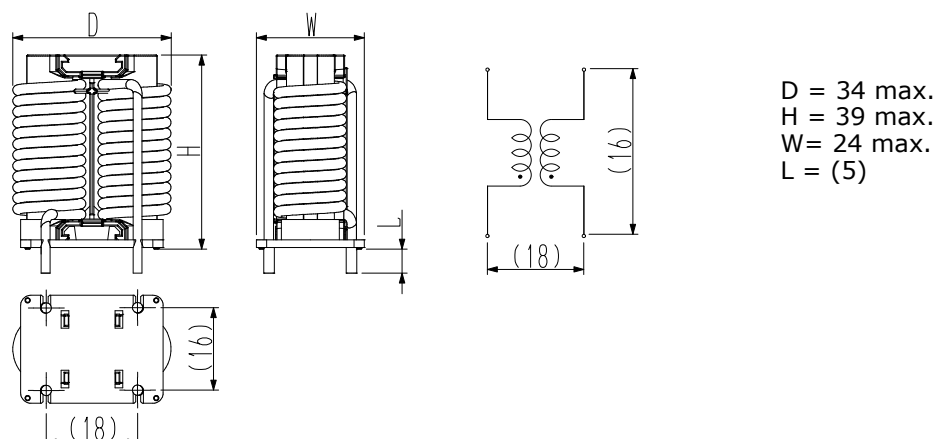


Temporary Specifications

Series	UENO COIL 35 series	Date	2015.04.20
		Spec No	Temporary rev00

1. Shape and dimensions (unit:mm)



2. Parts List

No	Item	Parts name	Q'ty	Remark
1	Core	Ferrite u7000 or u10000	1pcs.	UC35M-□□A□□□ UC35H-□□A□□□
2	Wire	1PEWΦ 1.3~2.0		
3	Cover Separeta Base	P.B.T	2pcs. 1pcs. 1pcs.	

3. Electrical Characteristic

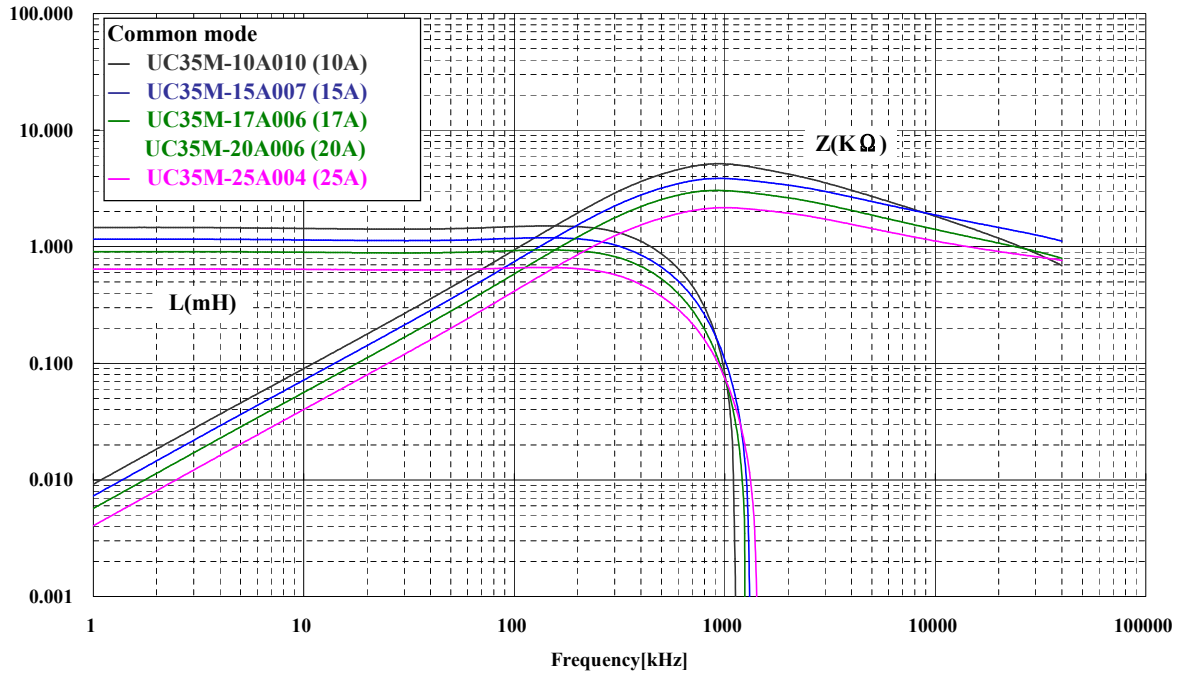
No	Item	Specification	Condition / Remark																																																																																
1	Rated V (AC/DC)	250V	50 / 60Hz																																																																																
2	(P/N) Rated A / Inductance / Dc Resistance	<table border="1"> <thead> <tr> <th>(P/N)</th> <th>A (max)</th> <th>L (typ.)</th> <th>DcR (max.)</th> </tr> </thead> <tbody> <tr> <td>UC35M-10A010</td> <td>10A</td> <td>1.5mH</td> <td>14.0mΩ</td> </tr> <tr> <td>UC35M-13A008</td> <td>13A</td> <td>1.2mH</td> <td>12.5mΩ</td> </tr> <tr> <td>UC35M-15A007</td> <td>15A</td> <td>1.1mH</td> <td>9.5mΩ</td> </tr> <tr> <td>UC35M-16A007</td> <td>16A</td> <td>0.9mH</td> <td>8.0mΩ</td> </tr> <tr> <td>UC35M-17A006</td> <td>17A</td> <td>0.8mH</td> <td>7.0mΩ</td> </tr> <tr> <td>UC35M-20A006</td> <td>20A</td> <td>0.8mH</td> <td>6.5mΩ</td> </tr> <tr> <td>UC35M-25A004</td> <td>25A</td> <td>0.6mH</td> <td>4.5mΩ</td> </tr> <tr> <td>UC35H-10A015</td> <td>10A</td> <td>2.1mH</td> <td>14.0mΩ</td> </tr> <tr> <td>UC35H-13A012</td> <td>13A</td> <td>1.7mH</td> <td>12.5mΩ</td> </tr> <tr> <td>UC35H-15A010</td> <td>15A</td> <td>1.5mH</td> <td>9.5mΩ</td> </tr> <tr> <td>UC35H-16A009</td> <td>16A</td> <td>1.3mH</td> <td>8.0mΩ</td> </tr> <tr> <td>UC35H-17A008</td> <td>17A</td> <td>1.2mH</td> <td>7.0mΩ</td> </tr> <tr> <td>UC35H-20A008</td> <td>20A</td> <td>1.2mH</td> <td>6.5mΩ</td> </tr> <tr> <td>UC35H-25A006</td> <td>25A</td> <td>0.9mH</td> <td>4.5mΩ</td> </tr> </tbody> </table>	(P/N)	A (max)	L (typ.)	DcR (max.)	UC35M-10A010	10A	1.5mH	14.0mΩ	UC35M-13A008	13A	1.2mH	12.5mΩ	UC35M-15A007	15A	1.1mH	9.5mΩ	UC35M-16A007	16A	0.9mH	8.0mΩ	UC35M-17A006	17A	0.8mH	7.0mΩ	UC35M-20A006	20A	0.8mH	6.5mΩ	UC35M-25A004	25A	0.6mH	4.5mΩ	UC35H-10A015	10A	2.1mH	14.0mΩ	UC35H-13A012	13A	1.7mH	12.5mΩ	UC35H-15A010	15A	1.5mH	9.5mΩ	UC35H-16A009	16A	1.3mH	8.0mΩ	UC35H-17A008	17A	1.2mH	7.0mΩ	UC35H-20A008	20A	1.2mH	6.5mΩ	UC35H-25A006	25A	0.9mH	4.5mΩ	<table border="1"> <thead> <tr> <th>U7000</th> <th>Rated A</th> </tr> </thead> <tbody> <tr> <td>Φ1.3</td> <td>50 / 60Hz</td> </tr> <tr> <td>Φ1.4</td> <td></td> </tr> <tr> <td>Φ1.5</td> <td>Inductance</td> </tr> <tr> <td>Φ1.6</td> <td>10kHz</td> </tr> <tr> <td>Φ1.7</td> <td>HP4284A</td> </tr> <tr> <td>Φ1.8</td> <td></td> </tr> <tr> <td>Φ2.0</td> <td>DcResistance</td> </tr> <tr> <td></td> <td>1Line</td> </tr> <tr> <td></td> <td>(@20°C)</td> </tr> </tbody> </table>	U7000	Rated A	Φ1.3	50 / 60Hz	Φ1.4		Φ1.5	Inductance	Φ1.6	10kHz	Φ1.7	HP4284A	Φ1.8		Φ2.0	DcResistance		1Line		(@20°C)
(P/N)	A (max)	L (typ.)	DcR (max.)																																																																																
UC35M-10A010	10A	1.5mH	14.0mΩ																																																																																
UC35M-13A008	13A	1.2mH	12.5mΩ																																																																																
UC35M-15A007	15A	1.1mH	9.5mΩ																																																																																
UC35M-16A007	16A	0.9mH	8.0mΩ																																																																																
UC35M-17A006	17A	0.8mH	7.0mΩ																																																																																
UC35M-20A006	20A	0.8mH	6.5mΩ																																																																																
UC35M-25A004	25A	0.6mH	4.5mΩ																																																																																
UC35H-10A015	10A	2.1mH	14.0mΩ																																																																																
UC35H-13A012	13A	1.7mH	12.5mΩ																																																																																
UC35H-15A010	15A	1.5mH	9.5mΩ																																																																																
UC35H-16A009	16A	1.3mH	8.0mΩ																																																																																
UC35H-17A008	17A	1.2mH	7.0mΩ																																																																																
UC35H-20A008	20A	1.2mH	6.5mΩ																																																																																
UC35H-25A006	25A	0.9mH	4.5mΩ																																																																																
U7000	Rated A																																																																																		
Φ1.3	50 / 60Hz																																																																																		
Φ1.4																																																																																			
Φ1.5	Inductance																																																																																		
Φ1.6	10kHz																																																																																		
Φ1.7	HP4284A																																																																																		
Φ1.8																																																																																			
Φ2.0	DcResistance																																																																																		
	1Line																																																																																		
	(@20°C)																																																																																		
3	Withstand Voltage	No damage	AC2,000V/1min or AC2,400V/2sec (Line to line) Cut off current 2mA																																																																																
4	Insulation Resistance	100MΩ (min.)	After DC500V (Line to line)																																																																																
5	Operating Temperature	-25~120°C	Including self-generating heat																																																																																

4. Frequency vs L , |Z|

UC35M (u7000)

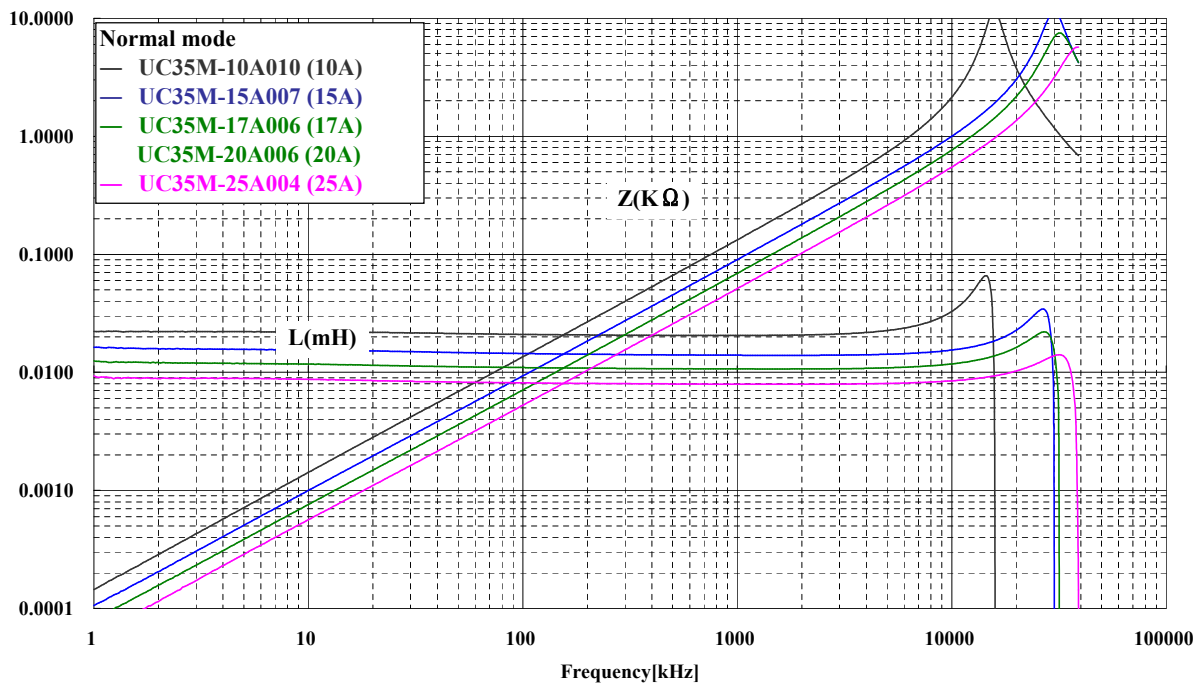
Frequency vs Impedance, Inductance

@HP4194A OSCLevel:0.1V



Frequency vs Impedance, Inductance

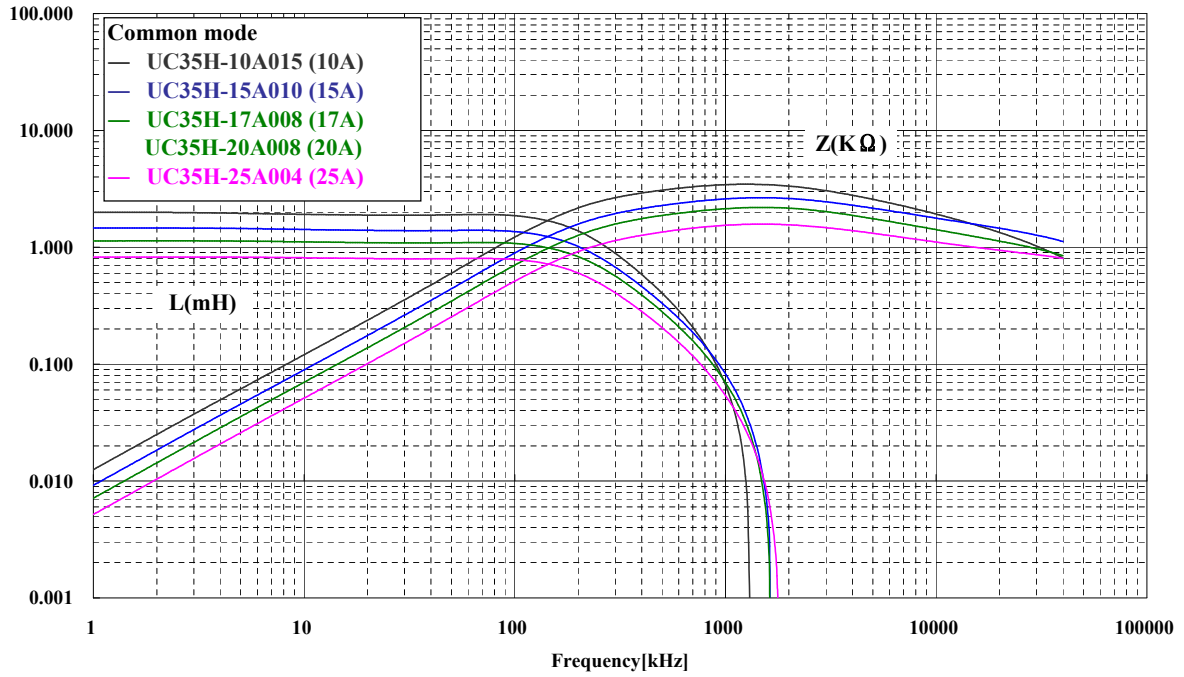
@HP4194A OSCLevel:0.1V



UC35H (u1000)

Frequency vs Impedance, Inductance

@HP4194A OSCLevel:0.1V



Frequency vs Impedance, Inductance

@HP4194A OSCLevel:0.1V

